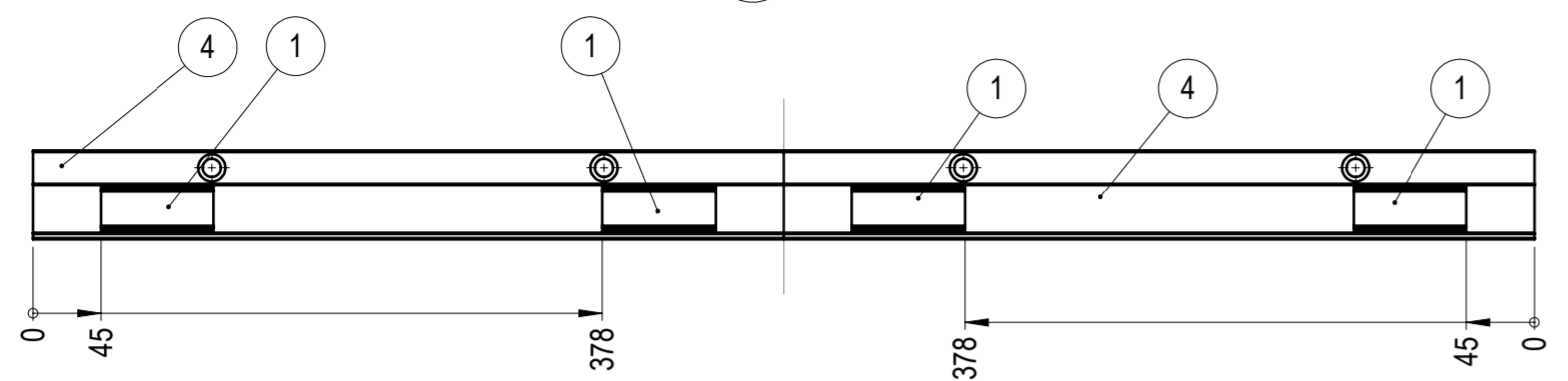
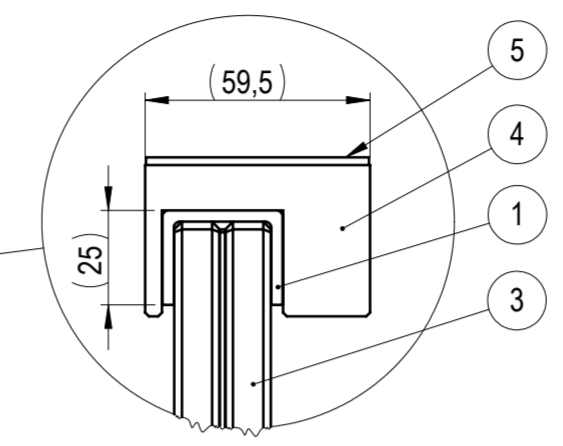


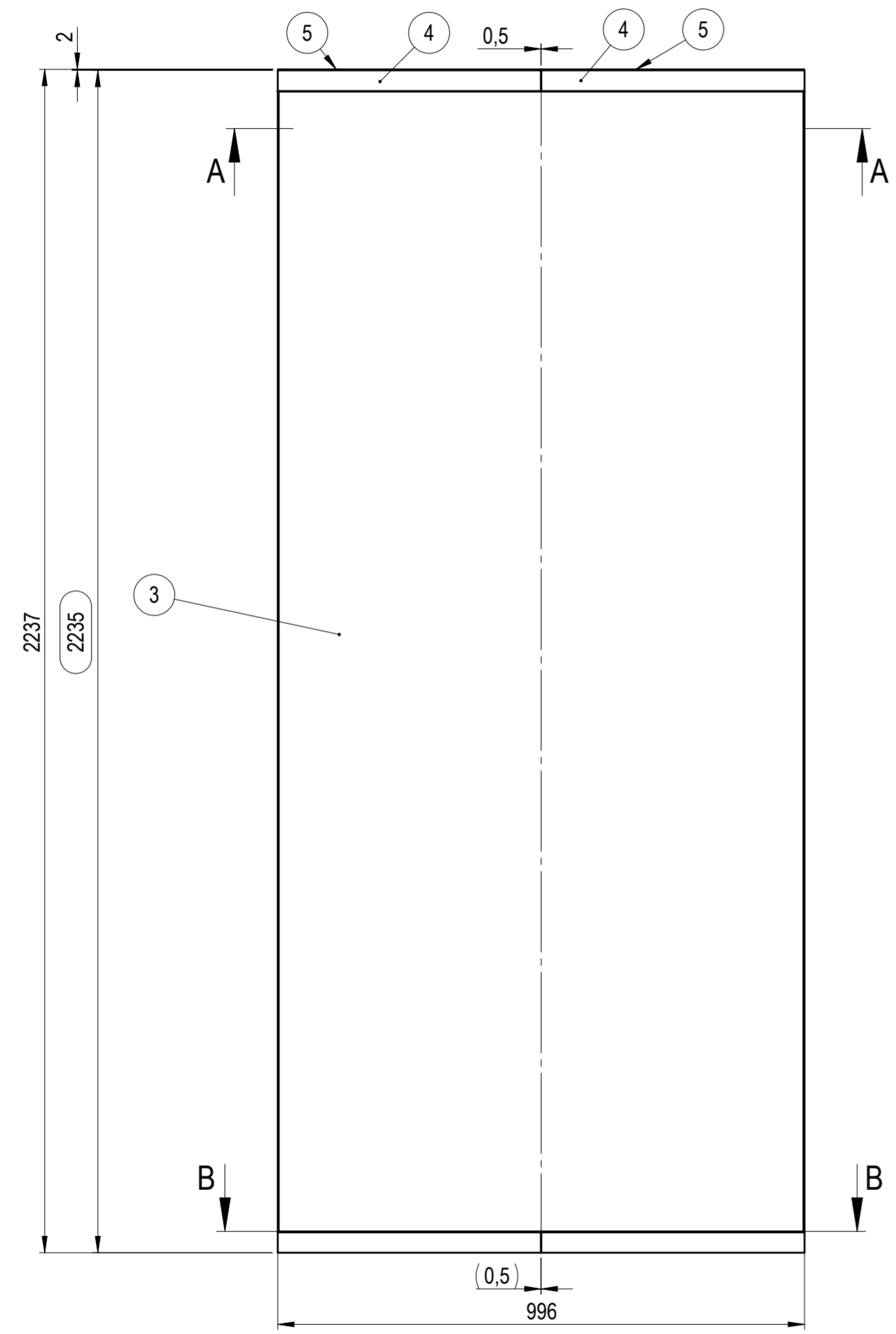
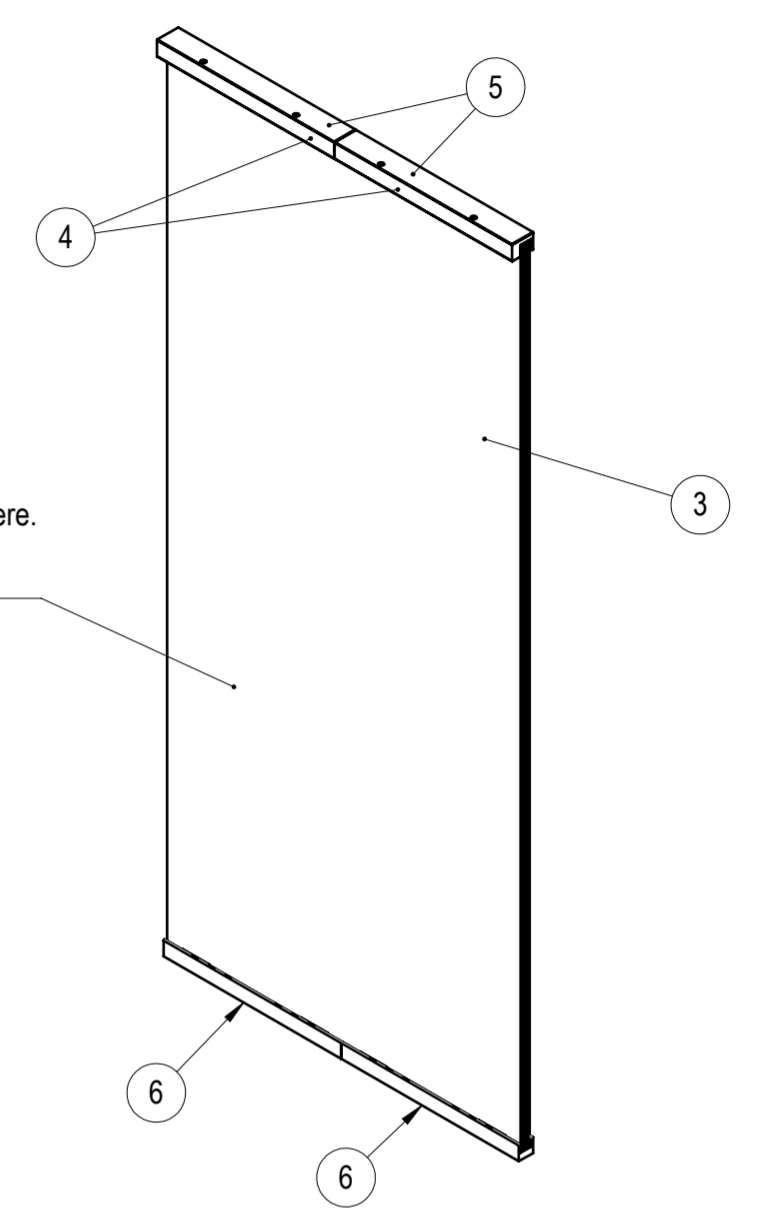
A-A
SCALE: 1 : 5
(part 3 hidden)



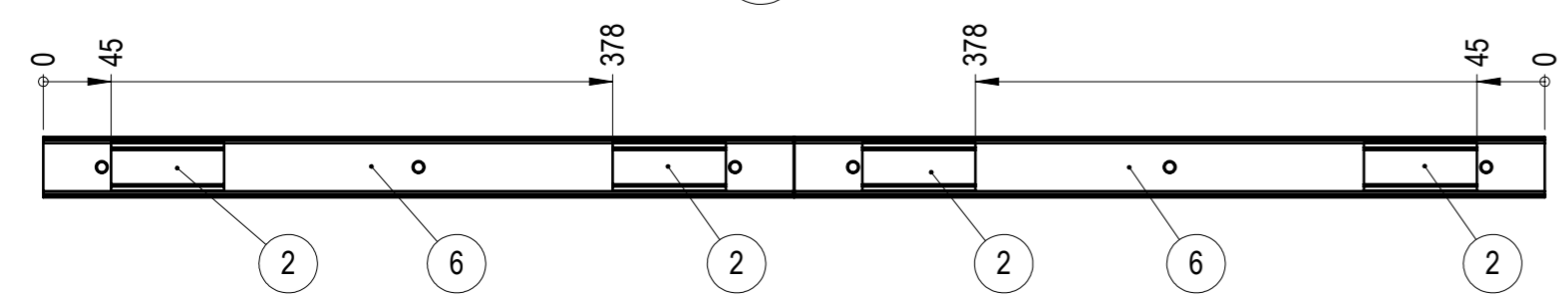
C
SCALE: 1 : 2



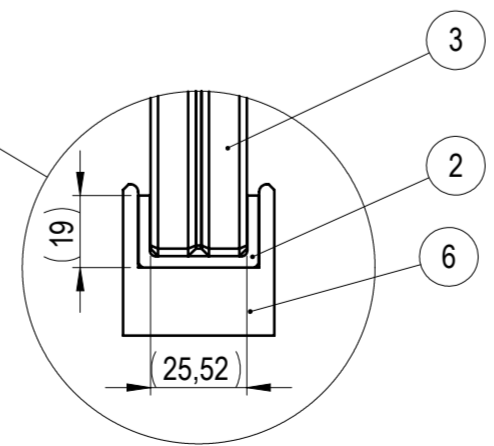
Outside surface of the glass, apply identification sticker here.
(The holes of brackets 4 are facing this side)



B-B
SCALE: 1 : 5
(part 3 hidden)



D
SCALE: 1 : 2



Notes:

1. Glue spacers 1 & 2 inside profiles 4 & 6 respectively with silicone structural glazing adhesive - UltraGlaze SSG4600.
ATTENTION! Spacers 1 & 2 differ in height and must not be mixed up!
2. Apply silicone structural glazing adhesive - UltraGlaze SSG4600 inside all of the 4 & 6 profiles. Layer thickness approx. 4mm.
3. Mount profiles 4 & 6 on the glass panel 3. Pay attention to the hole positions of profiles 4.
4. Clean all residual adhesive from the surfaces.
5. Mark the glass outside surface with a sticker, that states "PANEL S OUTSIDE" or similar marking.

*For specific details of silicone structural glazing adhesive - UltraGlaze SSG4600 usage, refer to manufacturer's manual.

NO.	PART NO	DESCRIPTION	MATERIAL	PROCESSING	REVISION	WEIGHT	QTY
1	105-01101-03	Plastic spacer 1	POM / black	MCH		0.02	4
2	105-01101-04	Plastic spacer 2	POM / black	MCH		0.02	4
3	105-21201-01	Glass panel A1	Glass	OTH		139.56	1
4	105-21201-02	Glass bracket A1	6082 T6	MCH ANO		1.96	2
5	105-21201-03	Micro-porous rubber pad A1	Self-Adhesive Micropore rubber	CND		0.06	2
6	105-21201-04	Glass bottom profile A1	6082 T6	MCH ANO		1.19	2
7	UltraGlaze SSG4600 (black) 0.5l	Silicone structural glazing adhesive		COTS		0.00	1

WEMPS ENGINEERING SERVICES		MATERIAL	WEIGHT	DEBURR AND BREAK SHARP EDGES DO NOT SCALE DRAWING	REVISION	DATE	
		-	146.154 Kg			04.04.2025	
		SURFACE PROTECTION	MACHINING	THERMAL CUTTING	WELDING	SCALE	
		-	ISO 2768 mK	ISO 9013 221	ISO 13920 BF	1:10	
						FORMAT	
						A2	
NAME	SIGNATURE	PART NO.				105-21201-00	
Designed by	D. Dislers	DESCRIPTION				Glass Panel (S)	
Drawn by	D. Dislers					SHEET 1/1	
Technical ref.							